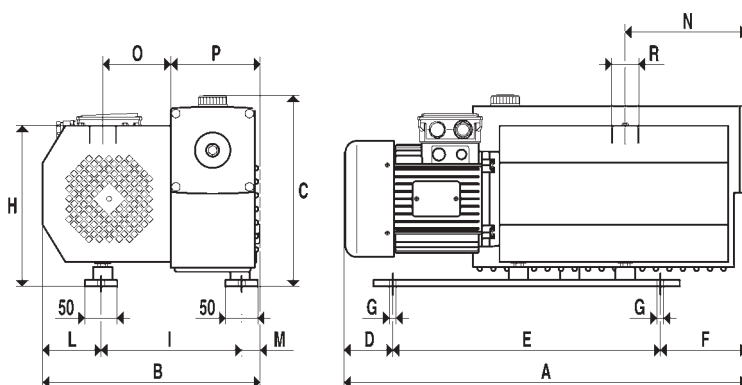




[Oil-bath vacuum pumps MV 40, 40A, 60, 60A, 100, 100A]



MV series vacuum pumps are single stage pumps with rotating vanes, with oil-bath loop lubrication system.

These pumps are driven by a standard electric motor coupled together via an elastic drive joint. A centrifugal fan, splined to the pump shaft, assures a proper airflow for the best cooling of the pump unit (surface forced cooling).

A big tank for the oil recovery, installed on the pump outlet, with built-in oil condensate trap, reduces noise and eliminates smoke.

The oil contained in the system carries out the function of lubrication, cooling and sealing between the rotating and the fixed parts of the pump.

On the suction inlet, the check valve is integral part of the pump as a standard, while upon request, a suitable filter is supplied to stop possible sucked impurities.

All MV series pumps can be prepared for installing a gas ballast valve (upon request), which allows a high compatibility to steam.

Thanks to the above mentioned devices, as well as to a compact and sturdy construction, MV series of pumps are particularly suitable to operate on continuous duty and under very heavy conditions.

In the table on the side, dimensional data and values concerning the technical specifications of this series of pumps are shown.

MV		40	40A	60	60A	100	100A
Capacity	cum/h	40	40	60	60	100	100
Final pressure	mbar abs.	40	0.7	40	0.7	40	0.7
Motor execution	Volt	230/400 ± 10%, 50 Hz					
Motor power	Kw	1.1	1.1	1.5	1.5	2.2	2.2
Motor power	Hp	1.5	1.5	2	2	3	3
Rpm		1450	1450	1450	1450	1450	1450
Max weight	Kg	45	45	53	53	80	80
A		628	628	688	688	790	790
B		338	338	338	338	430	430
C		300	300	300	300	330	330
D		80	80	140	140	--	--
E		415	415	415	415	--	--
F		133	133	133	133	--	--
G	∅	10	10	10	10	M10	M10
H		250	250	250	250	290	290
I		210	210	210	210	275	275
L		90.5	90.5	123	123	115	115
M		37.5	37.5	97	97	40	40
N		188	188	188	188	240	240
O		100	100	100	100	130	130
P		143	143	143	143	180	180
R	∅ gas	1"1/4	1"1/4	1"1/4	1"1/4	1"1/4	1"1/4

N.B.: Pumps mod. MV100-MV100A are supplied without fixing plates.