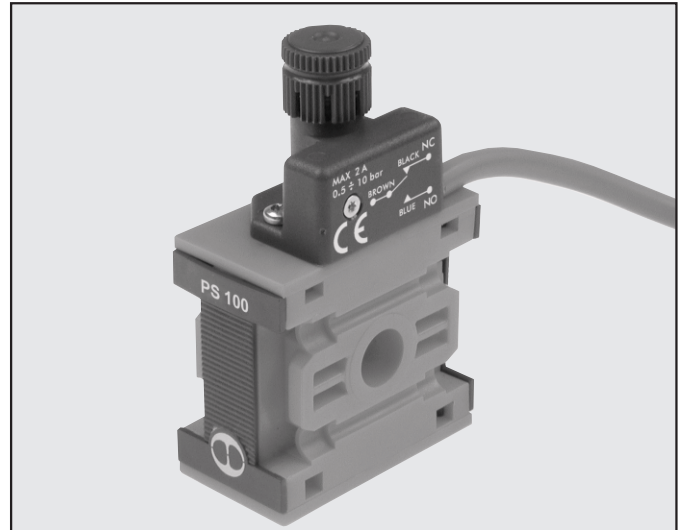


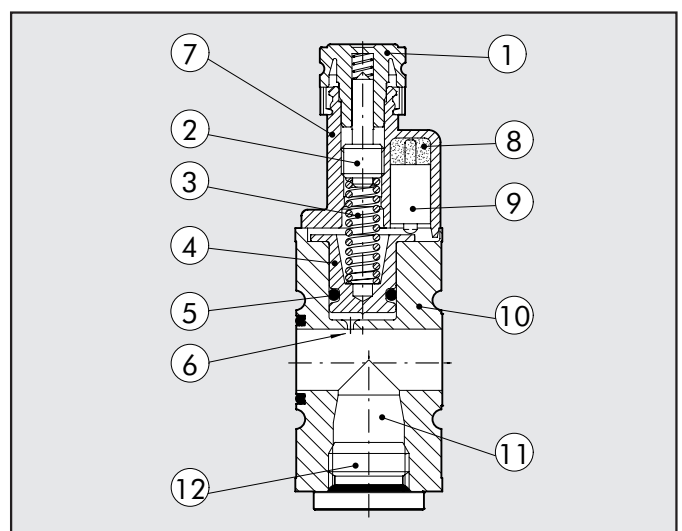
Skillair® pressure switches feature a high degree of miniaturisation and a modern attractive design. As they are extremely modular, the Skillair series can be installed facing up or down. They come ready assembled with a 2-metre cable or an M8 connector with a 300-mm cable. The contact is the switching type, which means it can be normally open or normally closed. It can be regulated via a knurled push-lock handle. On the side opposite the regulation handle is a threaded air inlet port that can be used by removing the threaded plug.

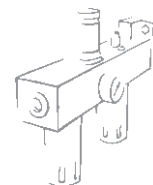


TECHNICAL DATA		PS 100	PS 200	PS 300
Adjustable pressure interval	bar		0.5 ÷ 10	
Hysteresis (not adjustable)	bar		from 0.4 to 0.8 (See diagram)	
Maximum pressure	bar	15	13	13
	MPa	1.5	1.3	1.3
	psi	217	188	188
Operating temperature range at: 1 MPa; 10 bar; 145 psi	°C		50	
	°F		122	
Lower threaded port		G 1/4"	G 1/4"	G 3/8"
Maximum current	A		2	
Maximum voltage	V		250	
Outside diameter of cable	mm		4.9	
Number of wires and cross section			3x0.5 mm ²	
Contacts			Normally-Open (NO) and Normally-Closed (NC)	
Protection			IP65	
Number of switchings			5x10 ⁶	
Fluid			Filtered lubricated or unlubricated compressed air. Lubrication, if used, must be continuous	
Mounting position			In any position	
Weight	Kg	0.160	0.185	0.250

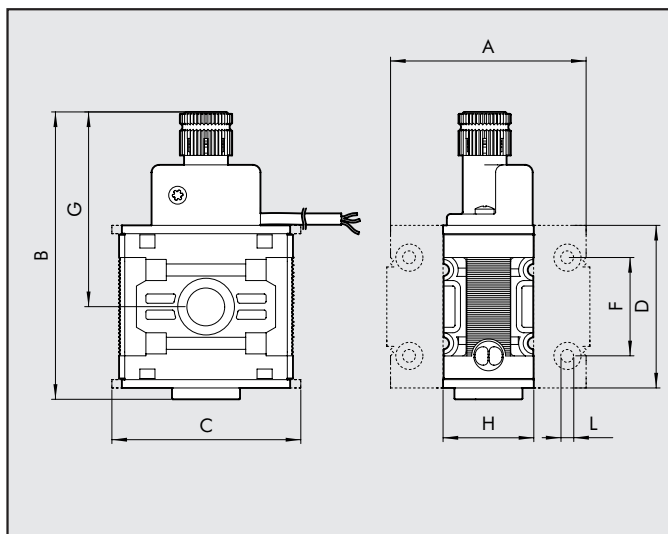
COMPONENTS

- ① Technopolymer adjusting push-lock handle
- ② Brass adjusting screw
- ③ Steel piston spring
- ④ Brass piston
- ⑤ NBR gasket
- ⑥ Choke to reduce peaks in pressure
- ⑦ Technopolymer pressure switch body
- ⑧ Resin finish for IP65
- ⑨ Electrical contact
- ⑩ Technopolymer body
- ⑪ Supplementary air inlet port
- ⑫ A7 plug





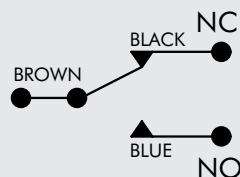
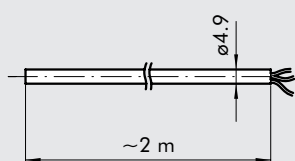
DIMENSIONS PS 100-200-300



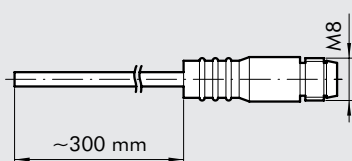
	PS 100	PS 200	PS 300
A	59	63	177
B	76	85	99
C	50	63	72
D	43	55	65
E	44	48	59
F	26	36	42
G	52	58	63
H	24	25	32
L	M4 hole	M5 hole	M5 hole

WIRING DIAGRAM

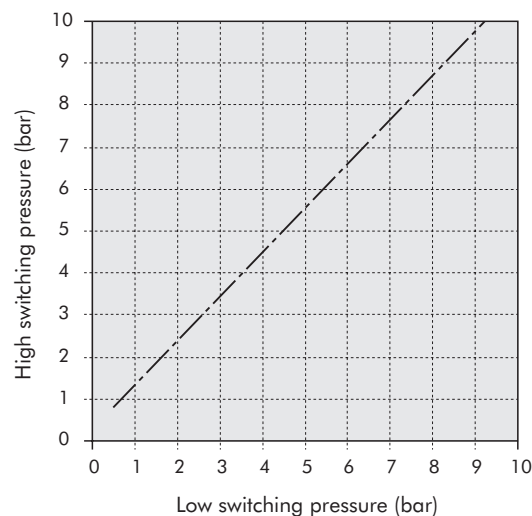
VERSION WITH CABLE



VERSION WITH M8 CONNECTOR



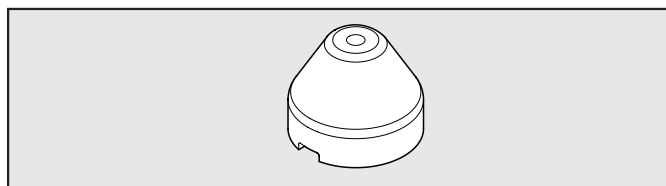
HYSTERESIS GRAPH



ORDERING CODES

Code	Description
PRESSURE SWITCHES 100	
3240000A	PS 100 2A NO/NC , 2m CABLE WITHOUT END PLATES
3240001A	PS 100 2A NO/NC M8 CONNECTOR WITHOUT END PLATES
PRESSURE SWITCHES 200	
3440000A	PS 200 2A NO/NC , 2m CABLE WITHOUT END PLATES
3440001A	PS 200 2A NO/NC M8 CONNECTOR WITHOUT END PLATES
PRESSURE SWITCHES 300	
4440000A	PS 300 2A NO/NC , 2m CABLE WITHOUT END PLATES
4440001A	PS 300 2A NO/NC M8 CONNECTOR WITHOUT END PLATES

SECURITY KNOB



Code	Description
9200703	ACC. SECURITY KNOB

NOTE: Pull outwards to remove the knob from the APR/pressure switch on the unit. Insert the security knob and regulate the APR/ pressure switch. Then press the handle firmly to lock it in position. If the APR/pressure switch needs to be reset, remove the security knob by forcing it laterally with a screwdriver.