

70 SERIES 1/8" ROLLER-LEVER VALVE

TECHNICAL DATA

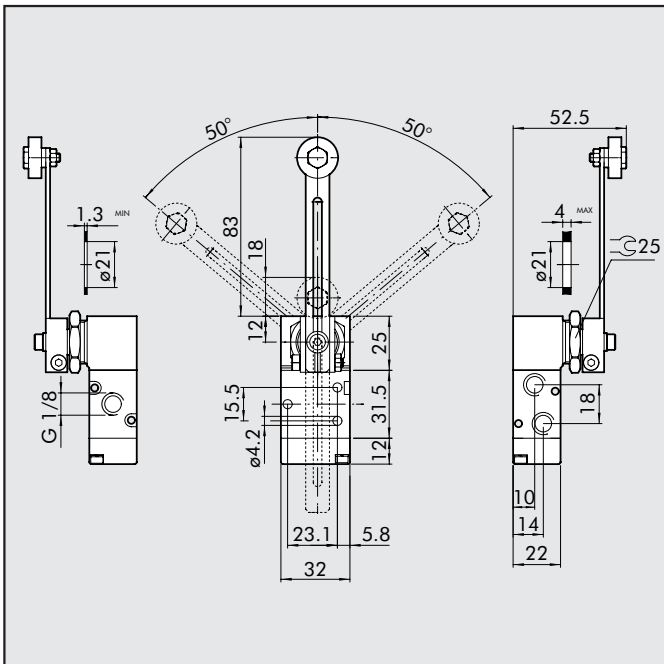
Thread at valve ports	G 1/8
Operating torque:	0.5 N
Operating pressure:	Vacuum to 10 bar
Operating temperature range	-10° to +60°C
Nominal diameter	5 mm
Conductance C	121.43 NI/min · bar
Critical ratio b	0.32 bar/bar
Flow rate at 6 bar ΔP 0.5 bar	400 NI/min
Flow rate at 6 bar ΔP 1 bar	550 NI/min

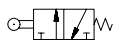


KEY TO CODES AND ORDERING CODES

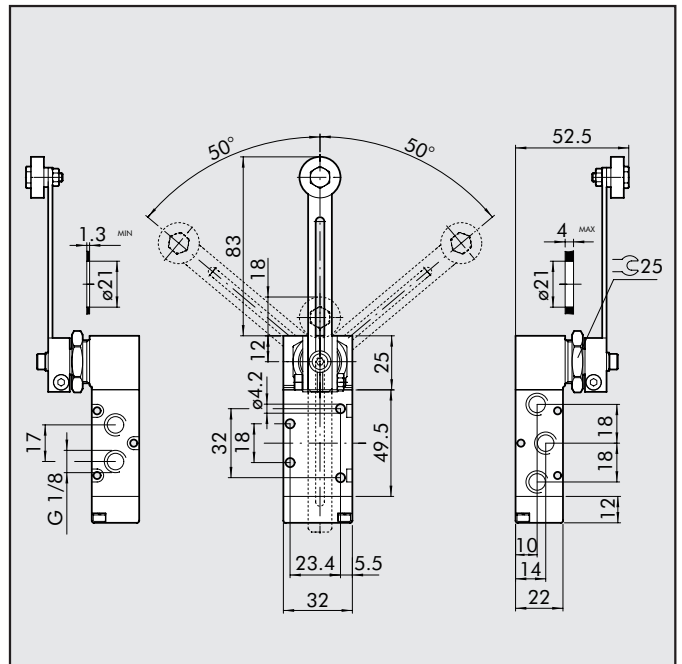
M	E	V	2	3	L	L	S	N	C						
FAMILY			PORT		FUNCTION		OPERATORS 14		RESETTING 12	FURTHER DETAILS					
MEV	Mechanically-operated I valves	2	1/8"	3	3/2	5	5/2	LL	roller-lever	S	Mechanical spring	NC	normally closed	OO	5/2


ROLLER-LEVER 3/2 1/8"



Symbol	Abbrev.	Code	Weight [g]
	MEV 23 LLS NC	7001000900	189

ROLLER-LEVER 5/2 1/8"



Symbol	Abbrev.	Code	Weight [g]
	MEV 25 LLS OO	7001000910	216