

# TWO HAND SAFETY VALVE

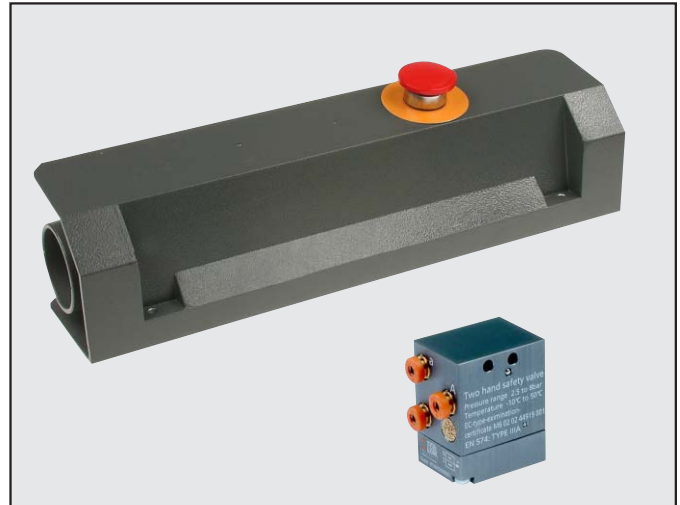
The two hand safety valve generates an output signal only if two synchronised pneumatic input signals are received. If one input signal is interrupted, the output signal is interrupted as well.

The most common application involves connecting a manual button-controlled valve to each of the inputs and using the output signal as a start-of-cycle control for a pneumatically-operated machine.

- The two hand safety valve can be secured with through screws or a DIN bar adaptor.

- The complete pushbutton panel includes the dual manual control valve, two manual pushbuttons, and an emergency stop valve, all housed in a metal box to be mounted on a wall or stand.

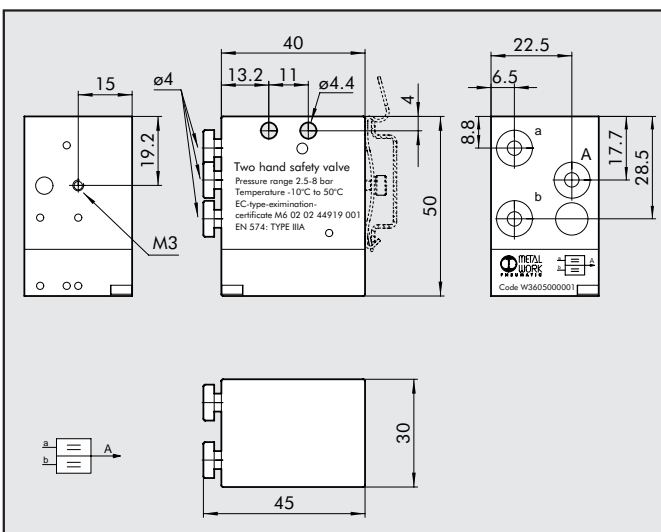
- The pushbutton housing is supplied on request for anyone wishing to get a personalised pneumatic connection or drill holes to secure the unit.



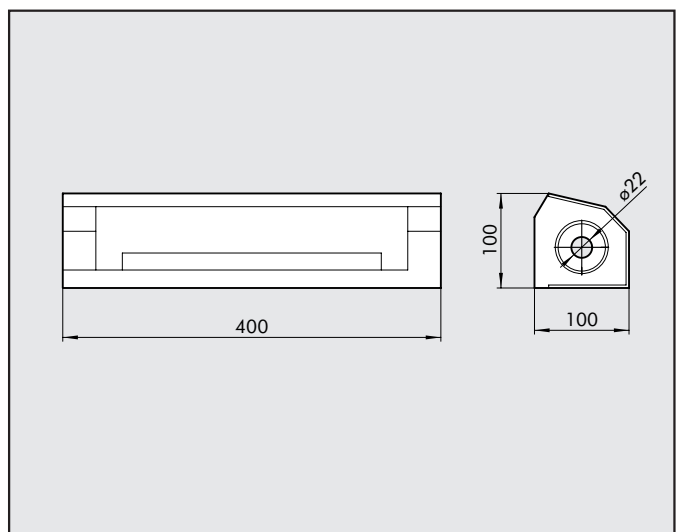
## TECHNICAL DATA

Compressed air couplings	mm	Push-in fitting for Ø4 pipe
Fluid		Filtered, unlubricated compressed air, max 50m
Version		Single-control – Complete pushbutton panel
Standard		EN574 type IIIA, TUV approved, Certified M6020244919001
Synchronisation, max. time between two signals	sec	0.4
De-activation time, with pipe L=max 1000 mm	sec	<0.05
Actuation		pneumatic
Reset		spring operated
Operating pressure	bar	2.5 ÷ 8
Temperature range	°C	-10 ÷ +60
Nominal diameter	mm	2.7
Flow rate at 6 bar (0.6 MPa – 87 psi) DP 1 bar (0.1MPa-1.45 psi)	Nl/min	85
Mounting position		in any direction

## TWO HAND SAFETY VALVE

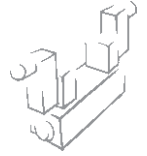


## PUSHBUTTON HOUSING

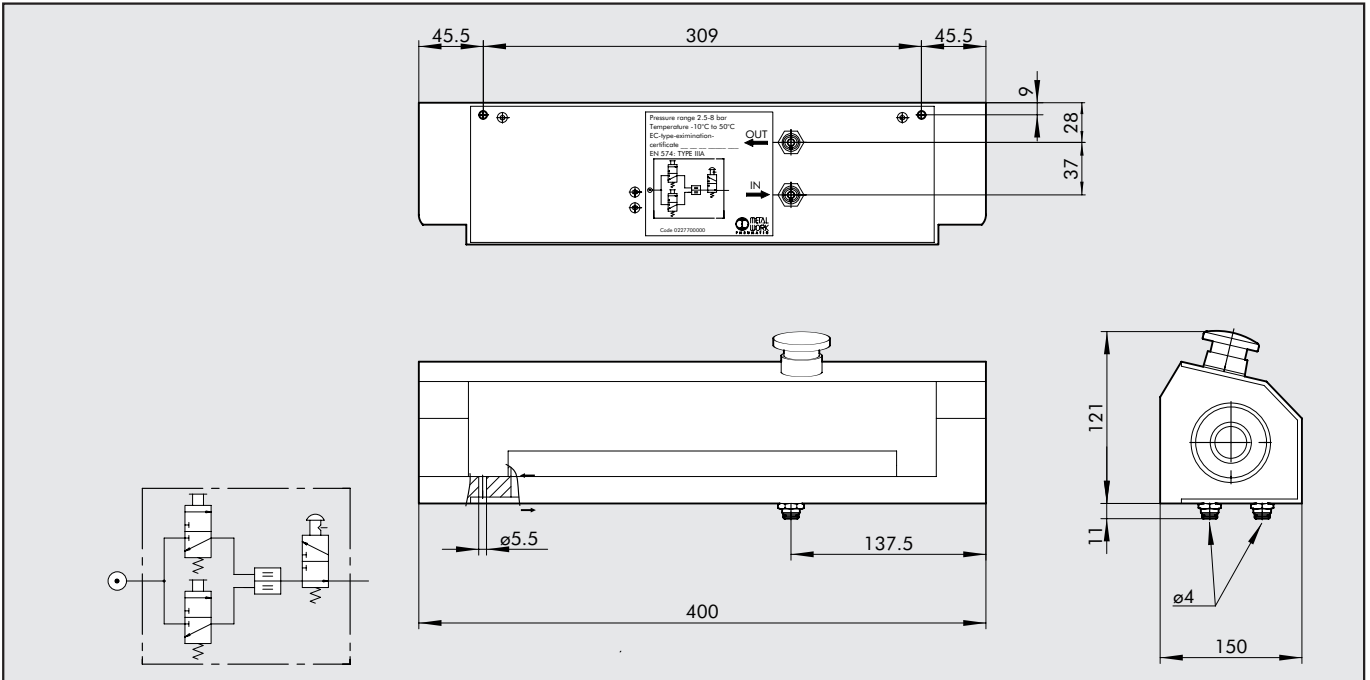


Code	Description
W3605000001	Two hand safety valve
<b>Materials</b>	
Body: anodised aluminium	
Internal parts: brass and technopolymer	
Gaskets: NBR	
Spring: alloy steel	

Code	Description
W3120000212	Pushbutton housing



## COMPLETE PUSHBUTTON PANEL



### ORDERING CODES

Code	Description
022770000	Complete pushbutton panel

#### Materials

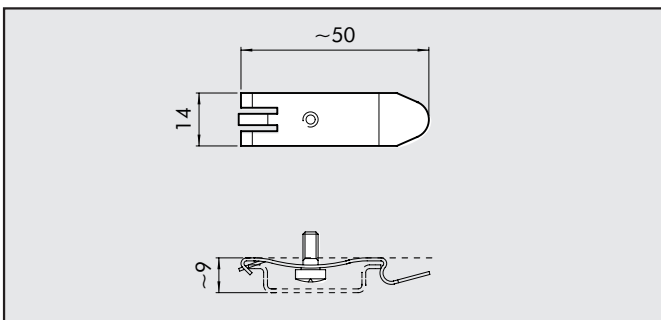
Pressure die-cast and painted aluminium alloy

### MAIN COMPONENTS

Code	Description	Quantity
W3605000001	Dual manual safety valve	1
W0351000011	Monostable protected button - black disk	2
W0351000014	Emergency stop button	1
W3501000100	VME1-01 NC Ø4	2
W3501001100	VME2-01 NO Ø4	1
0351000050	Valve-button connecting base	3
2L11001	RL10 Ø4	2

## ACCESSORIES

### CONNECTION BRACKETS ON THE BAR



Code	Description
0227300600	CONNECTION BRACKETS ON DIN BAR

Individually packed

### NOTES