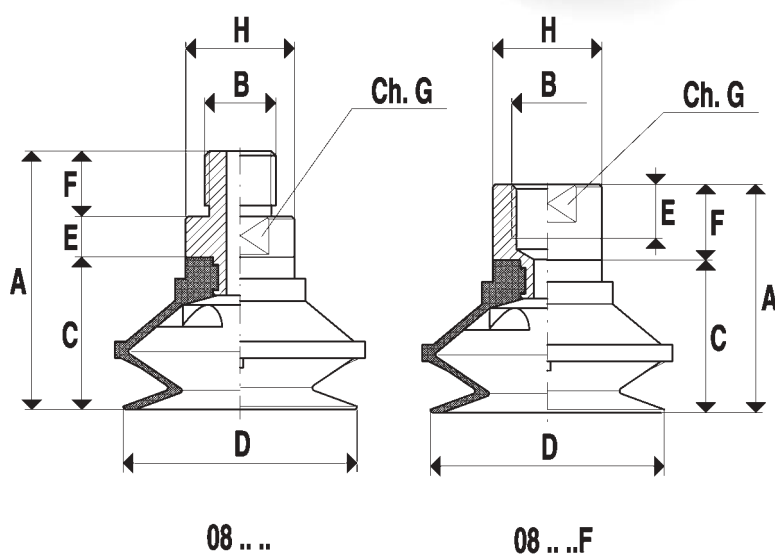


## [Bellows cups with support]



These bellows cups are the same as described on the previous page, cold assembled on a proper support in anodized aluminium, male or female threaded.

As spare part, it is necessary to order the cups with the code 01 instead of 08, in the required compound.



Art.	Force Kg.	A	B Ø	C	D Ø	E	F	G	H Ø
08 22 19	0.95	36.5	1/8"	19	22	5.5	8	13	14.5
08 34 26	2.26	51.5	1/8"	26	34	5.5	8	13	14.5
08 43 28	3.62	61.5	1/4"	28	43	7.5	12	17	20
08 53 35	5.51	72.5	1/4"	35	53	7.5	12	22	27
08 22 19 F	0.95	35	1/8"	19	22	8	12	13	14.5
08 34 26 F	2.26	46	1/8"	26	34	8	12	13	14.5
08 43 28 F	3.62	56	1/4"	28	43	10	14	17	20
08 53 35 F	5.51	67	1/4"	35	53	10	14	22	27

